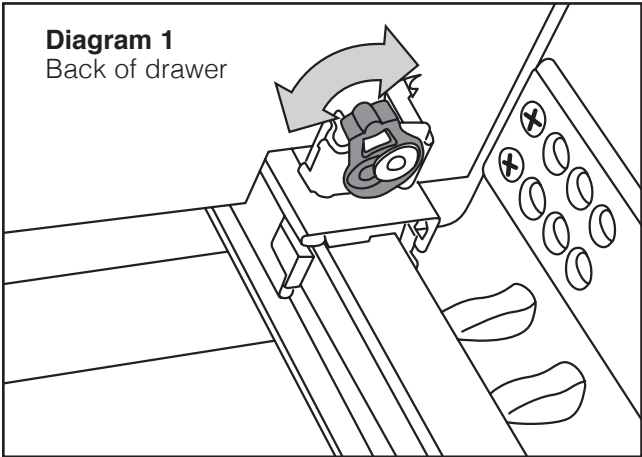


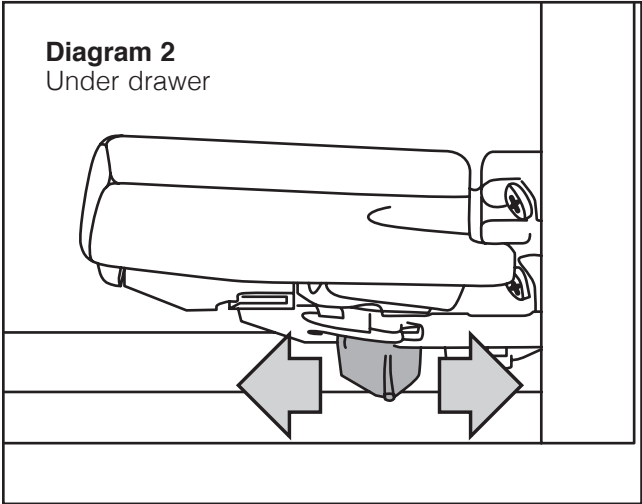
# Overlay Cabinetry Adjustment



## DRAWERS

There are two ways to adjust drawer headers.

- 1. Adjust the undermount glides (Diagram 1).** There is a cam at the back of the drawer that can be rotated back and forth. This will move the back of the drawer up or down, thereby adjusting how flat the drawer front will sit with the face of the cabinet.
- 2. A vertical-only adjustment can be made using the sliding tab under the drawer box (Diagram 2).** The lever is very sensitive and makes very minute adjustments.



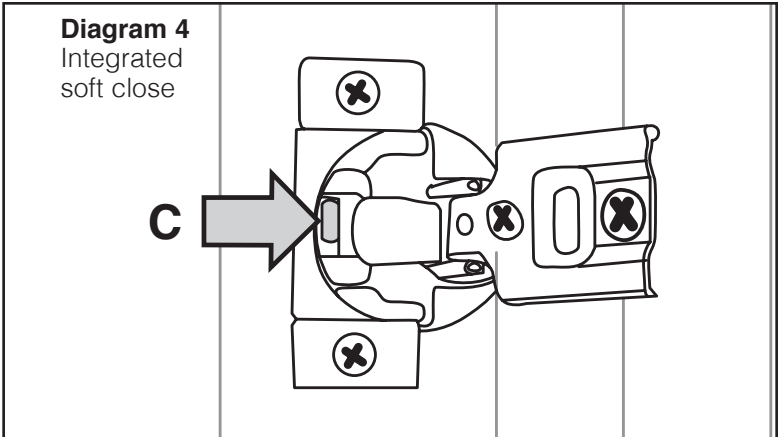
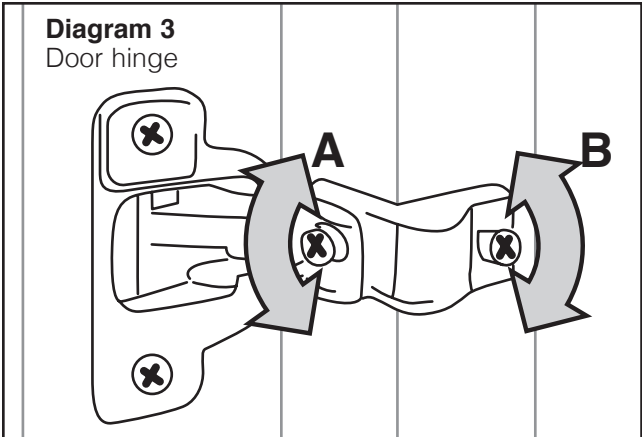
## DOORS

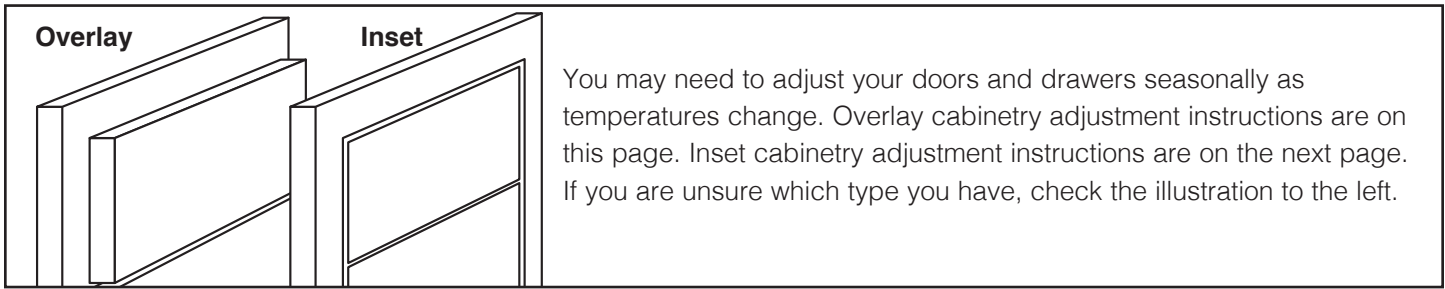
- 3. Use the two cam screws on each hinge (Diagram 3).** The screws are protected so you are unable to turn them too far. For best results, we recommend a manual Phillips screwdriver.

The screw on the outside of the face frame (**Screw A**) moves that corner of the door left and right bringing the doors straight with each other.

The screw on the inside of the face frame (**Screw B**) brings that corner of the door forward and back to keep the door flat to the face of the cabinet.

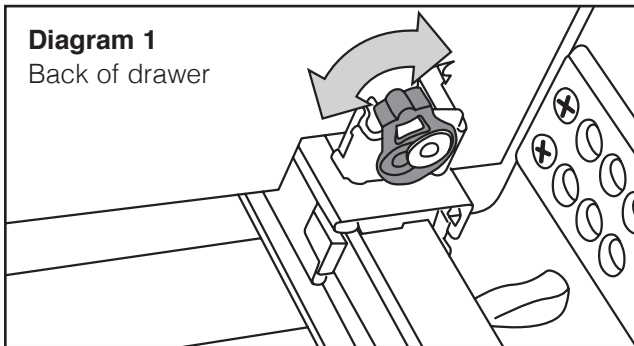
- 4. Cabinetry built before March 7, 2016, may have optional soft close. Cabinetry built on and after March 7, 2016, is standard with soft close. Set the tension by sliding the grey lever (Switch C) up and down (Diagram 4).** The door will have to cycle through one closing for the new setting to activate.



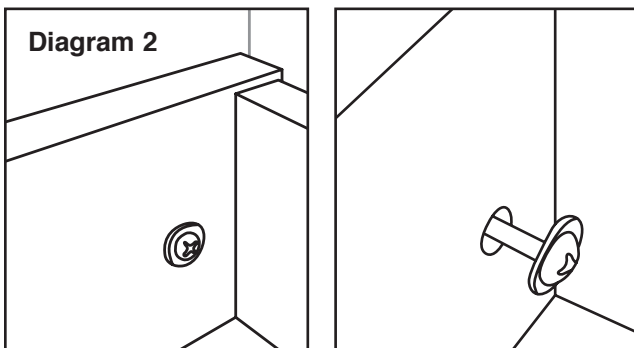


You may need to adjust your doors and drawers seasonally as temperatures change. Overlay cabinetry adjustment instructions are on this page. Inset cabinetry adjustment instructions are on the next page. If you are unsure which type you have, check the illustration to the left.

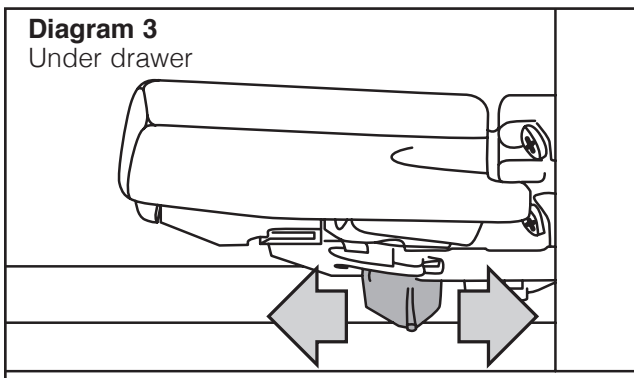
## Inset Cabinetry Adjustment



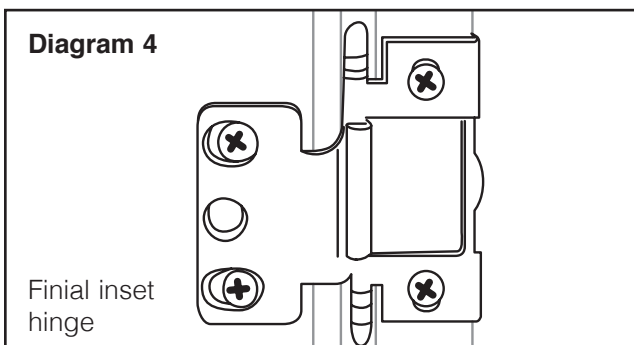
**Diagram 1**  
Back of drawer



**Diagram 2**



**Diagram 3**  
Under drawer



**Diagram 4**

Finial inset hinge

### DRAWERS

There are three ways to adjust the drawer headers:

- 1. Adjust the undermount glides.** There is a cam at the back of the drawer that can be rotated back and forth (Diagram 1). This will move the back of the drawer up or down, thereby adjusting how flat the drawer front will sit with the face of the cabinet.
- 2. Adjust the screws that hold the drawer front to the drawer box (Diagram 2).** These screw holes are oversized to allow vertical and horizontal adjustment. You do not need to remove the drawers to adjust the tracks.
- 3. A vertical-only adjustment can be made using the sliding tab under the drawer box (Diagram 3).** The lever is very sensitive and makes very minute adjustments.

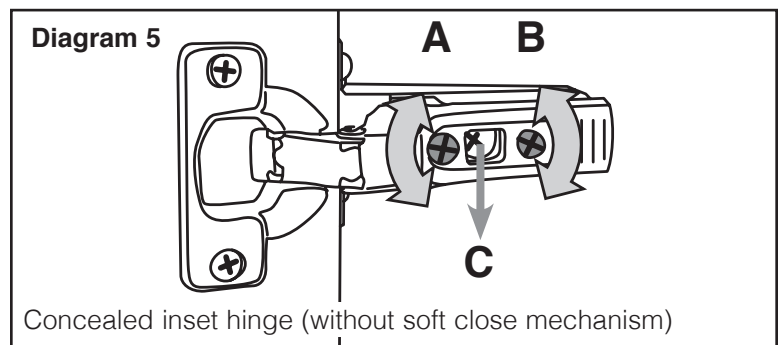
### DOORS with FINIAL HINGES

Square the doors to the door opening using a Phillips screwdriver to adjust the hinges. Diagram 4 shows the four screws you can use to adjust finial hinges.

### DOORS with CONCEALED HINGES

To adjust concealed hinges, see Diagram 5. Turn Screw A (the screw closest to the door) to move the door left and right in the door opening. Turn Screw B (the screw furthest back in the cabinet) to move the door forwards and back. Turn Screw C to move the door up and down. Be aware, the moves will be small.

If the cabinet doors are equipped with non-integrated soft close, you will have to remove the soft close mechanism (it has a gray plunger) before you can adjust hinges. Remove it by sliding it toward you. Replace it after adjusting the hinges.



**Diagram 5**

Concealed inset hinge (without soft close mechanism)